

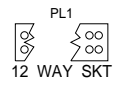
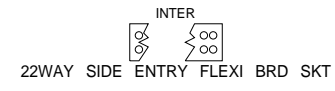
PROCESSOR
252 SHEET 4
DSP AUDIO

RECEIVER
246 SHEET 3

SYNTH-VCO
2922 SHEET 5

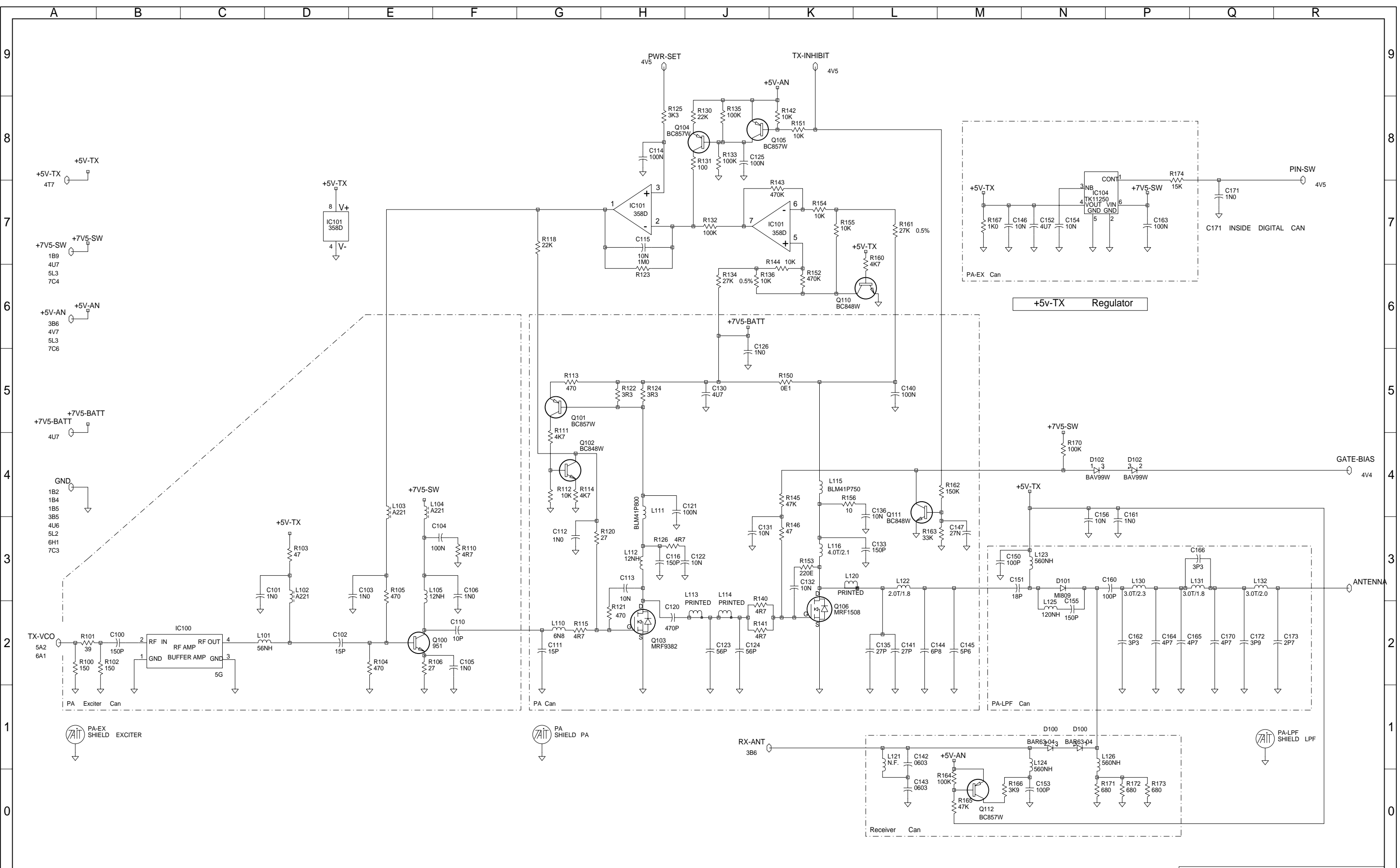
POWER-AMP
93 SHEET 2

VCO sheet 6



© TAIT ELECTRONICS	
ORCA : 400-470MHZ SYSTEM DIAGRAM	
IPN: 220-01603-02	ISSUE: A
DESIGNER: CJK	FILE NAME: 160302a
DATE: 30-Sep-99	NO.SHEETS: 7

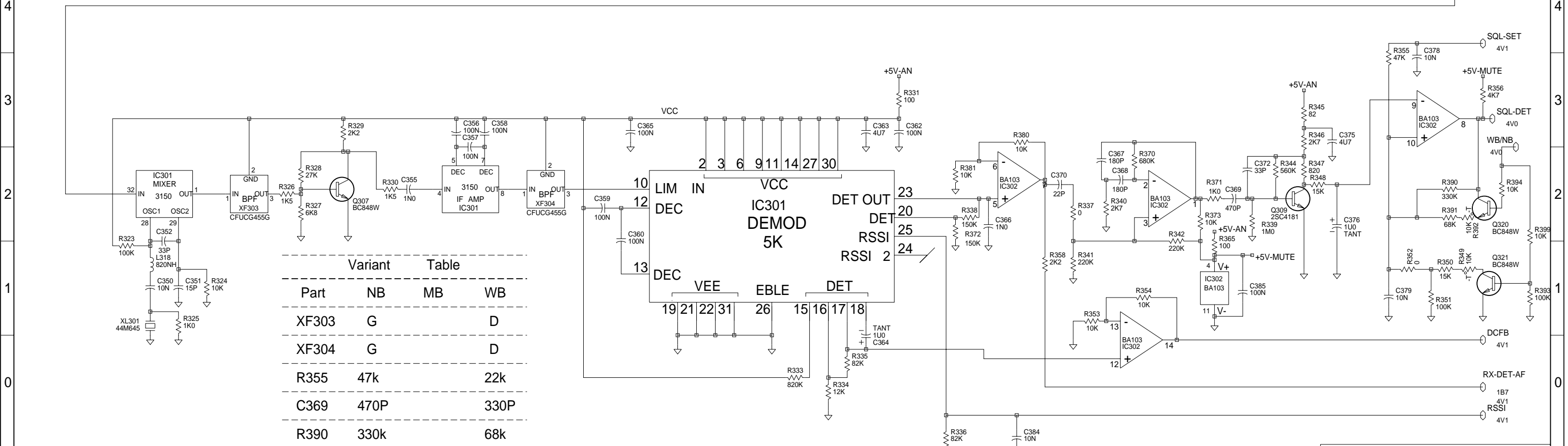
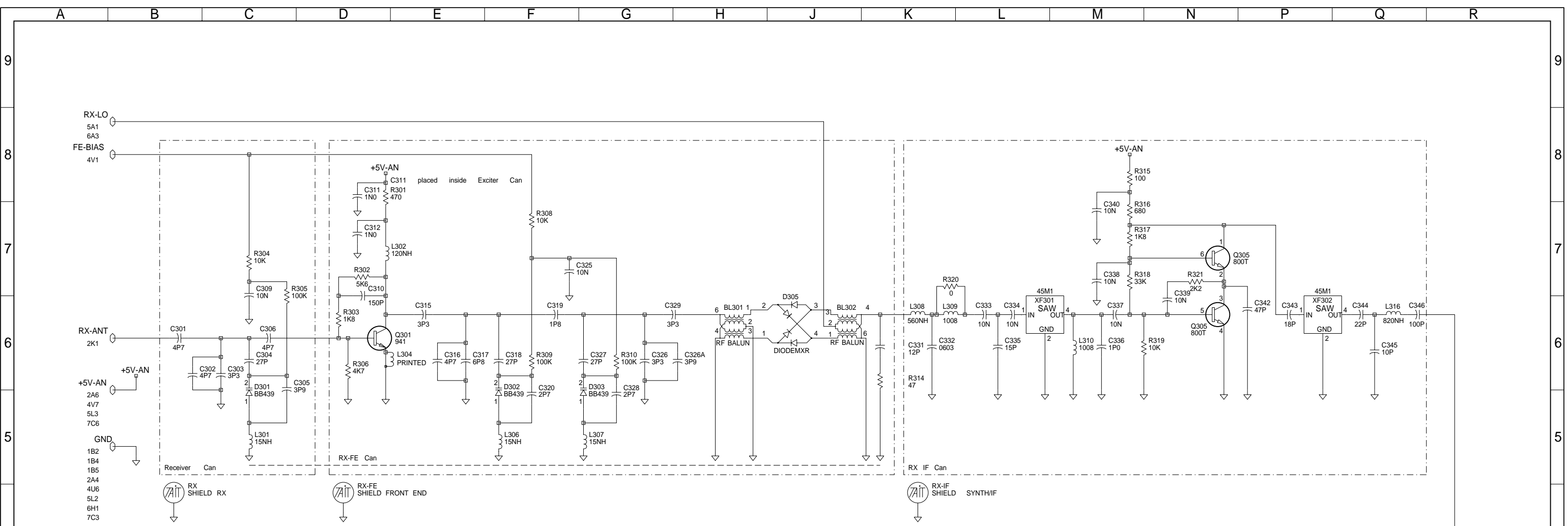
Q2A		CJK			24/09/99
01A	NEW PA FOR 400-470 MHZ	CJK	JJ		10/06/99
REV/ISS	AMENDMENTS	DRAWN	CHKD	D.O.	APVD DATE



© TAIT ELECTRONICS
 ORCA : 400-470MHZ
 POWER AMPLIFIER

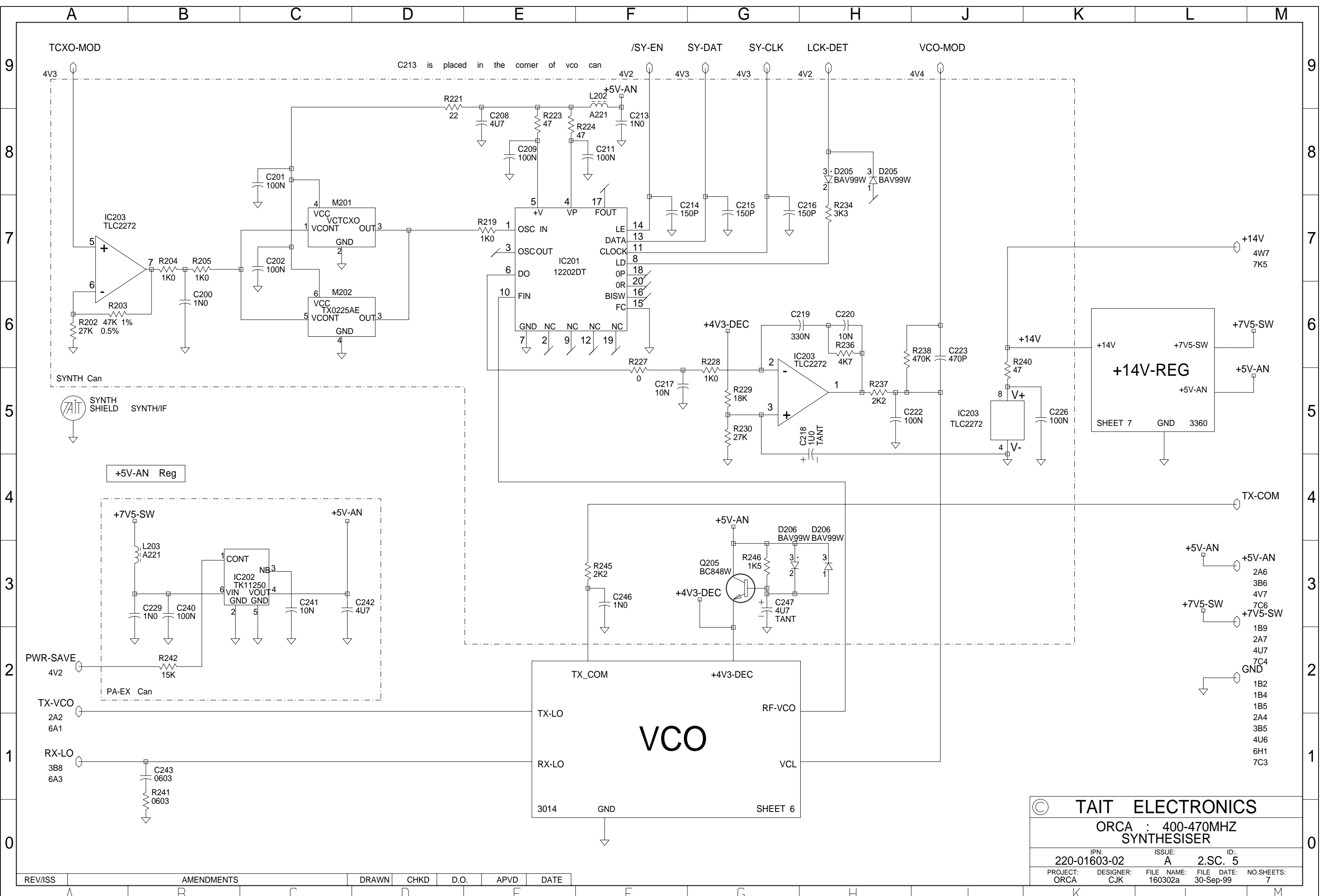
IPN: 220-01603-02	ISSUE: A	ID: 2.S.C. 2
PROJECT: ORCA	DESIGNER: CJK	FILE NAME: 160302a
	FILE DATE: 30-Sep-99	NO.SHEETS: 7

REV/ISS	AMENDMENTS	DRAWN	CHKD	D.O.	APVD	DATE
A						



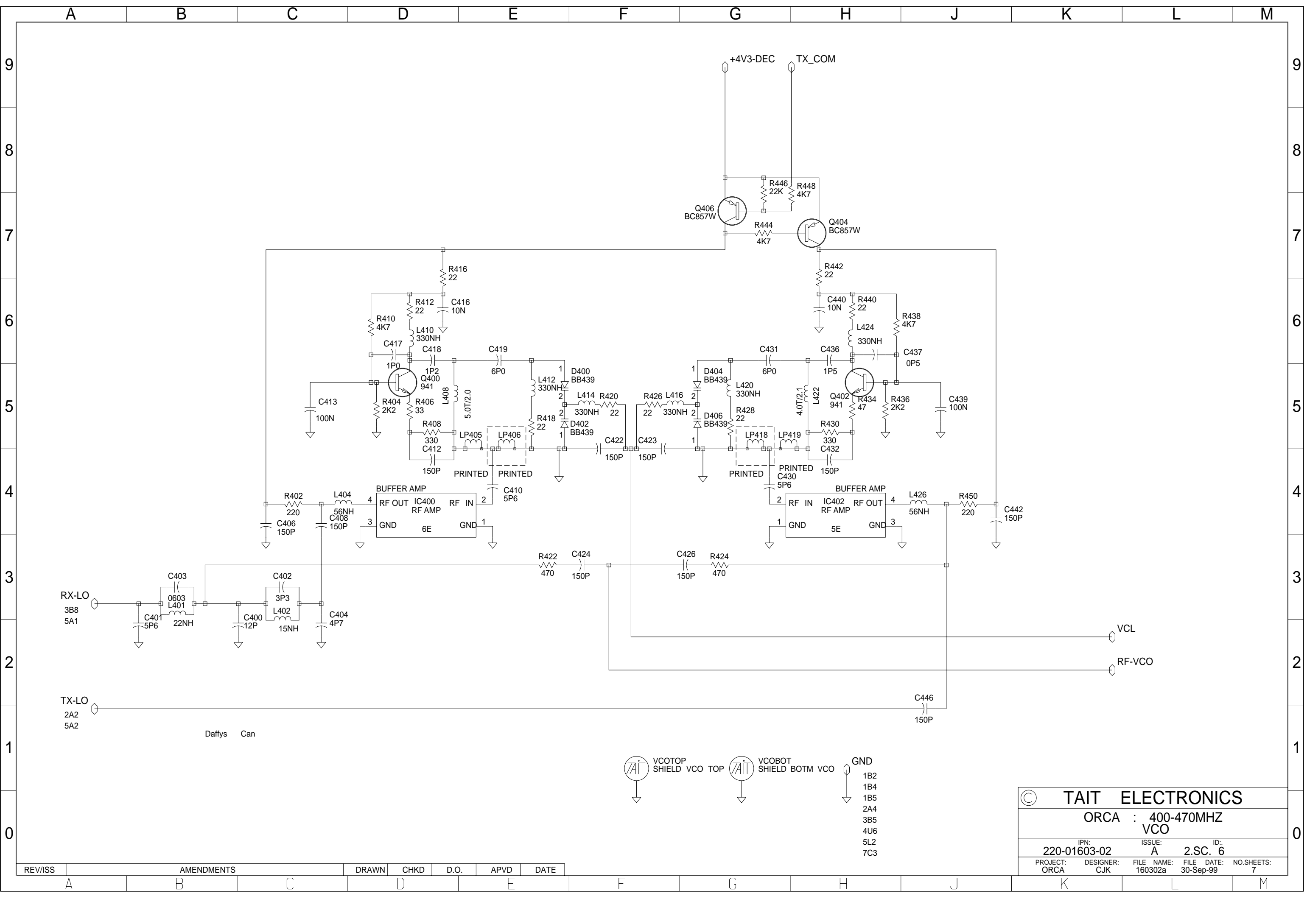
© TAIT ELECTRONICS
 ORCA : 400-470MHZ RECEIVER
 IPN: 220-01603-02 ISSUE: A ID: 2.S.C. 3
 PROJECT: ORCA DESIGNER: CJK FILE NAME: 160302a FILE DATE: 30-Sep-99 NO.SHEETS: 7

REV/ISS	AMENDMENTS	DRAWN	CHKD	D.O.	APVD	DATE
A						

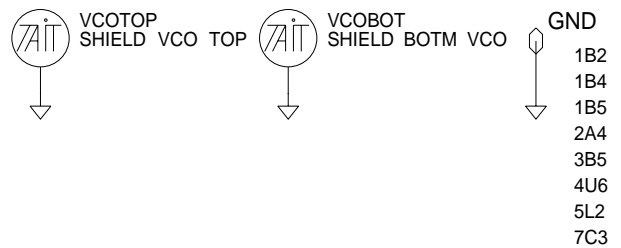


© TAIT ELECTRONICS
 ORCA : 400-470MHZ SYNTHESISER
 IPN: 220-01603-02 ISSUE: A ID: 2.SC. 5
 PROJECT: ORCA DESIGNER: CJK FILE NAME: 160302a FILE DATE: 30-Sep-99 NO.SHEETS: 7

REV/ISS	AMENDMENTS	DRAWN	CHKD	D.O.	APVD	DATE

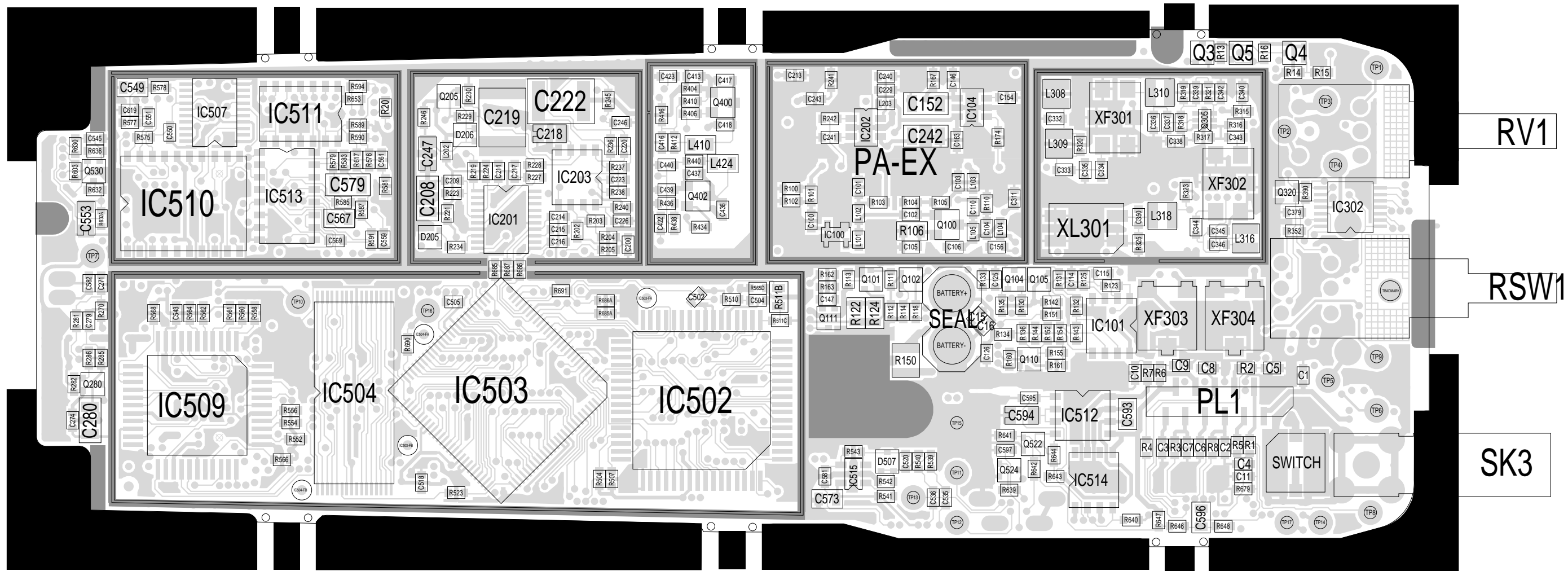


Daffys Can



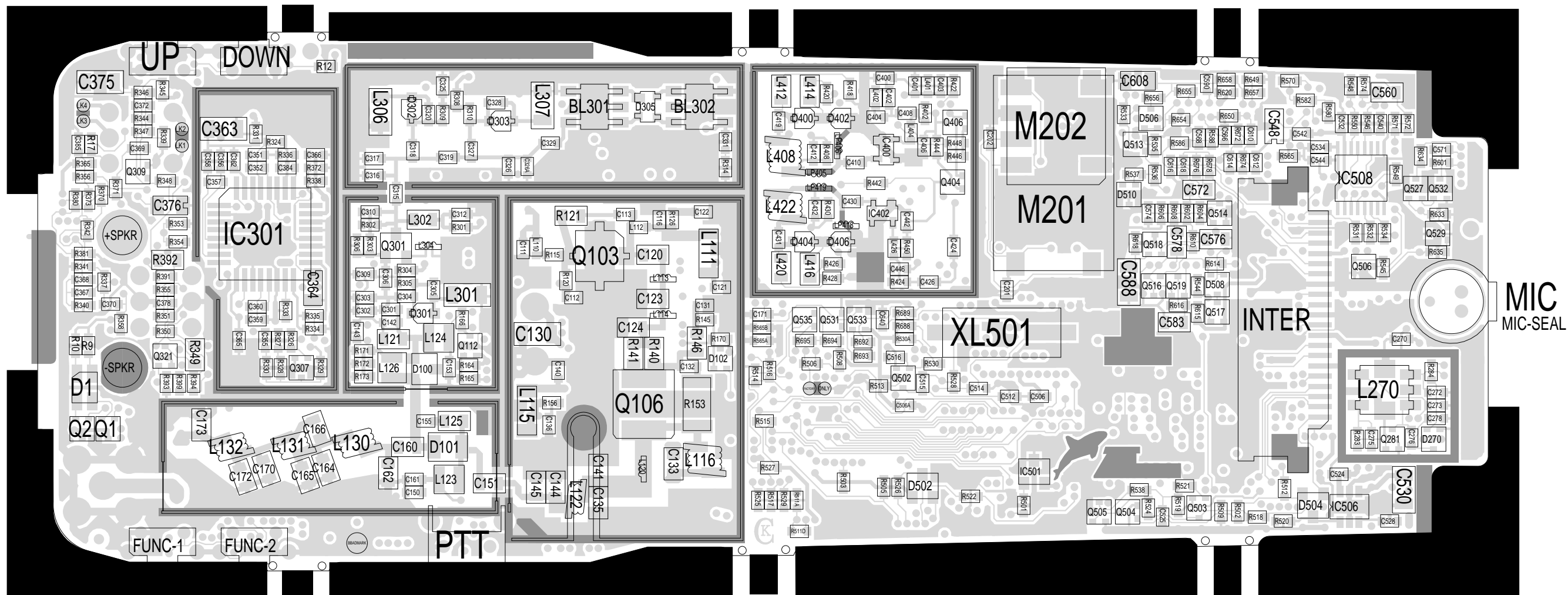
© TAIT ELECTRONICS				
ORCA : 400-470MHZ VCO				
IPN:	ISSUE:	ID:		
220-01603-02	A	2.SC. 6		
PROJECT:	DESIGNER:	FILE NAME:	FILE DATE:	NO.SHEETS:
ORCA	CJK	160302a	30-Sep-99	7

REV/ISS	AMENDMENTS	DRAWN	CHKD	D.O.	APVD	DATE



TAIT ELECTRONICS IPN: 220-01603-02 ISS: -02 ID: 1.TA DATE: 30 Sep 1999
 ORCA UHF PCB LAYOUT - TOP SIDE

Scale: 2.3:1 ; Rotation: 0 degrees



TAIT ELECTRONICS IPN: 220-01603-02 ISS: -02 ID: 6.BA DATE: 30 Sep 1999
 ORCA UHF PCB LAYOUT - BOTTOM SIDE

Scale: 2.3:1 ; Rotation: 0 degrees